

# FEDERATION CYNOLOGIQUE INTERNATIONALE (AISBL)

*Place Albert 1<sup>er</sup>, 13 – B – 6530 Thuin, tel : +32.71.59.12.38, fax : +32.71.59.22.29, internet: <http://www.fci.be>*

---

## AGILITY REGULATIONS

### OF THE

## FEDERATION CYNOLOGIQUE INTERNATIONALE



# CONTENTS

A.	GENERAL PROVISIONS.....	3
B.	F.C.I. REGULATIONS.....	3
	INTRODUCTION.....	3
	CATEGORIES.....	3
	COURSES	
	- General.....	3
	- Course Design.....	3
	- Competition progress.....	4
	a) Standard Course Time.....	4
	b) Maximum Course Time.....	4
	c) Test progress.....	4
	OBSTACLES.....	5
	JUDGING.....	8
	- General.....	8
	- Faults.....	8
	- Elimination.....	10
	- Force majeure.....	10
	QUALIFICATIONS / AGILITY CERTIFICATE.....	10
	RESULTS.....	11
	ORGANISING A COMPETITION.....	11
	ELIGIBILITY TO ENTER COMPETITIONS.....	11
	- <b>International</b> Agility tests.....	11
	- <b>National</b> Agility tests.....	11
	TESTS / CATEGORIES & CLASSES.....	12
	- Official agility tests.....	13
	- Unofficial Agility tests.....	13
C.	F.C.I. WORLD AGILITY CHAMPIONSHIP .....	14
	- Organisation.....	13
	- Tests.....	13
	- Applications.....	15
	- Ring equipment.....	16
	- Veterinary control.....	16
	- Record book / Licence.....	16
	- Judges.....	16
	- <b>Specifications</b> .....	16
D.	OBSTACLES – DESIGN & MEASUREMENTS.....	17

## A. GENERAL PROVISIONS

The National Canine Organisations (N.C.O.) are invited to promote the AGILITY ideal and the regulations defined by the F.C.I.

## B. F.C.I. REGULATIONS

### *International / National competitions*

***The main purpose of the FCI rules is to set a standard for international competitions and should be used to standardise international FCI events, international judging guidelines and equipment standards. National Kennel Club's should use them as a basis for developing their own rules and regulations differing only to accommodate local needs.***

## INTRODUCTION

Agility is a dog competition open to all dogs.

The aim of agility is for dogs to negotiate different obstacles to assess and enhance their intelligence and agility.

It is an educational and sporting activity intended to improve the dog's integration into society.

The sport requires a good rapport between dog and handler, which will result in perfect understanding. Competitors therefore must be familiar with elementary training and basic obedience.

## CATEGORIES

Three categories exist:

S (Small) : for dogs measuring less than 35 cm. at the withers

M (Medium) : for dogs measuring 35 cm. or more and less than 43 cm. at the withers

L (Large) : for dogs measuring 43 cm. or more at the withers

## COURSES

A course is built ***using as many types of obstacles as possible***; the way they are placed determines the degree of difficulty and speed. The dog must complete the course within a predetermined time and the obstacles must be negotiated in the correct order.

### 1° General

- The ring, required to build an agility course, must measure at least **24** m x 40 m. Within this area the ring that the course will be built in must measure at least 20 m x 40 m. When two rings are used, it is advisable to have a closed partition between them or a distance of about 10 m.
- The actual length of the course will be between 100 m and 200 m and, depending on the class, will require a dog to traverse at least 15 obstacles but no more than **22**, no less than 7 of them must be jumps. A standard competition set must contain at least **14** hurdles.
- Spread jumps will have a maximum width: S: 30 cm; M: 40 cm; L: 55cm.
- The distance between two consecutive obstacles ranges from **4 to 7 m in category Small and 5 m to 7 m in categories Medium/Large**.
- The handler should be able to pass each obstacle on both sides.

## 2° Course design

The design of the course is left entirely to the judge's imagination, but ***the natural handling side*** must change at least twice.

Before the start of a competition the judge will inspect the obstacles put at his disposal and when they meet the necessary standard, he will hand over his course design to the organising committee who will then set up the course.

The judge will check the course and have the length measured precisely.

A well-designed course will allow the dog to go round easily and smoothly.

The aim is to get the correct balance between the control over the dog, avoiding faults on the obstacles and the speed with which the course is negotiated.

It is advisable to frequently change the design of the course and position of the obstacles in order to avoid any automation in the dogs.

## 3° Competition progress

No practise is allowed on the course but competitors will be allowed to walk the course without their dogs before the test begins.

Before starting the competition the judge will brief the handlers, explaining to them the nature of the competition, standard course time, maximum course time, the way the test will be marked and remind them of the rules.

### a) Determining the Standard Course Time (SCT)

The speed in meters per second chosen on the course will determine the SCT. The speed chosen will depend on the standard of the competition and the degree of difficulty of the course and the surface the dog has to run on.

The SCT (in seconds) will be determined by dividing the length of the course by the chosen speed (in m/s).

Example: A course is **160 m long** and the chosen speed **4.0 m/s** The SCT will be **40 seconds (160 ÷ 4.0)**.

### b) Determining the Maximum Course Time (MCT)

The MCT should not be less than 1,5 times the SCT ***or more than 2 times the SCT***.

### c) Test progress

The handler will go into the ring and place the dog (sit, down or stand) behind the start line. If the dog is still on the lead than the dog's lead and collar are taken off. For safety reasons dogs must never wear these while under test. During the test the handler is not allowed to have anything in his hands.

The handler is allowed to position himself anywhere on the course. The handler will start his dog after the judge's signal. The time will start as soon as the dog crosses the start line.

***Start procedure at the World Championships:***

***Once the judge has signalled to the handler that he is ready to start, the handler will have 15 seconds to start his dog - after which the timing will start automatically.***

A variety of commands and signals are allowed during the test.

The handler must ensure that the dog traverses the obstacles in the correct order without touching the dog or the obstacles. The handler must not negotiate, go under or over, the obstacles.

The test is finished and the time stopped when the dog crosses the finish line.

The handler puts the dog back on the lead and leaves the ring.

## OBSTACLES

The obstacles approved by the F.C.I. are:

### Jumps

- Hurdles
- Viaduct or Wall
- Tyre (breakaway/solid)

### Contacts

- See-Saw
- A-frame
- Dog Walk

### Others

- Flat Tunnel
- Tube Tunnel
- Weaving Poles
- Long Jump
- Table

Obstacles may under no circumstances be unsafe for the dogs and must comply with the following specifications and be in accordance with the enclosed drawings.

***The colours of the contact zones may not be white, black or brown.***

Hurdles:

#### a) Single

Height: L: 55 to 65 cm. - M: 35 to 45 cm. - S: 25 to 35 cm.

Minimum width: 1,20 m. - **Maximum 1,50 m.**

Hurdles can be set up with poles (**wood or safe synthetic materials - metal not allowed**), panels, gates, brushes, etc. The top pole or plank, however, must be easily displaced. **The poles have a diameter of 3 to 5 cm and should have contrasting colours in at least 3 segments.**

No part (pole holders or cups), removable or permanent, should be protruding from the upright or wing.

**The inner upright of the wing must at least be 1 m high. The width of the wing must be minimum 40 cm and maximum 60 cm.**

**The start of the taper to the outside upright of the wing should be at least 75 cm high. The hurdle wings must not be connected or fixed to each other.**

**Dogs should not be able to go under or through any part of the wing.**

#### b) Spread

Two single jumps (as in item a), but with poles only) placed together to form a double spread jump. The poles are placed in ascending order with a difference in height of 15 to 25 cm.

The highest pole - **which should be at least 10 cm wider than the first** - is placed at the back:

L: 55 to 65 cm. - M: 35 to 45 cm - S: 25 to 35 cm.

The total depth must not exceed: L: 55 cm - M: 40 cm - S: 30 cm


No part (pole holders or cups), removable or permanent, should be protruding from the upright or wing.

Wall:

Height: L: 55 to 65 cm - M: 35 to 45 cm - S: 25 to 35 cm

Minimum width: 1,20 m - **maximum 1,50 m** and approximately 20 cm. thick **at the bottom and must be at least 10 cm thick at the top.**

The panel can have 1 or 2 tunnel shaped openings. The wall should have displaceable units at the top.

The shape of the units: 

**The pillars must be at least 1 m high and must not be connected to the centre panel; width and depth of the pillar: minimum 20 cm - maximum 40 cm**

Table:	<p>0,90 x 0,90 m minimum – 1,20 x 1,20 m maximum.          Height: L: 60 cm. - M and S: 35 cm.          The table must be stable with a non-slippery surface. An electronic timing device (audible signal after 5 seconds) <b>must</b> be built into <b>or placed on</b> the table surface except for an area, 10 cm. wide around the top edges of the table. <b>The corners of the table must not be dangerous to the dog. The supporting structure must not prevent the dog from going under the table - the side of the table must be of a contrasting colour to the surface of the table.</b></p>
Dog Walk:	<p>Height: 1,20 m. minimum - <b>1,30</b> m maximum          The planks should be a minimum of 3,60 m. and a maximum of <b>3,80</b> m. in length and 30 cm. in width.  <b>The surface of the obstacle must be non slip.</b> Each ramp should have anti-slip slats at regular intervals (about every 25 cm.) to avoid slipping and making the climb easier, but not within 10 cm. of the start of a contact area. These slats must be 20 mm. wide and 5 to 10 mm. thick and must not have sharp edges.          The last 90 cm. from the bottom of each ramp should have a different colour (on the sides as well) to indicate the contact area. <b>Electronic contacts may be used.</b>  <b>The legs of the dog walk should not exceed the top of the obstacle. The legs and other supporting structures of the dog walk should not prevent the tunnel from being placed safely under the dog walk.</b></p>
See-saw:	<p>The length of the plank should be a minimum of <b>3,60 m</b> and a maximum of <b>3,80</b> m and 30 cm in width.          The height of the central bracket <b>should be 60 cm measured from the ground to the top of the plank.</b>          Contact areas: same as the dog walk. <b>Electronic contacts may be used.</b>          The obstacle must be stable and the <b>surface</b> must be non-slip. However, anti-slip slats are not allowed. The see-saw must be properly balanced (must not tip too fast or too slow) and allow the small dogs to tip it without problems.          Check: The see-saw must tip between 2 and 3 seconds when a weight of 1 kilo is placed <b>in the centre of the down contact area of the obstacle.</b> If this is not the case then adjustments must be made. <b>The pivot point of the see saw should not be more than 10 cm from the top of the plank.</b></p>
A-frame:	<p>Two ramps A-shaped.          Width: 90 cm. minimum, which may be increased at the bottom to 1,15 m.          The apex must be 1,70 m. from the ground for all dogs. The length of the ramps should be between 2.65 and 2.75 m.  <b>The surface of the obstacle must be non slip.</b> Each ramp should have ant-slip slats at regular intervals (about every 25 cm.) to avoid slipping and making the climb easier, but not within 10 cm of the start of a contact area. These slats should be 20 mm. wide and 5 to 10 mm thick and must not have sharp edges.          The last 1,06 m. from the bottom of each ramp should have a different colour (on the sides as well) to indicate the contact area.          The top of the A-frame may not present any danger to the dogs and must be covered if necessary.  <b>The supporting structures of the A-frame should not prevent the tunnel from being placed safely under the A-frame.</b></p>
Weaving	<p>Number of poles: <b>12</b></p>

- Poles: The poles are rigid and have a diameter of 3 to 5 cm. The height of the poles is 1 to 1,20 m and they are placed 60 cm apart (***measured between poles***).  
***The poles must not be made of metal (wood or safe synthetic materials are recommended). The frame should be no thicker than 8 mm and no wider than 8 cm. The legs of the frame should not be in the way of the dog during the normal sequence when it is weaving.***
- Tube tunnel: Diameter: 60 cm - Length: 3 to 6 m.  
Flexible so that one or more bends can be formed.
- Flat tunnel: It must have an entrance of rigid construction with a depth of 90 cm.  
The entrance has a height of 60 cm. and a width of 60 to 65 cm.  
The exit is made of supple material and is 2,50 to **3,00** m. in length and has a diameter of 60 to 65 cm.  
If possible, the exit should be pegged down - the pegs should be no more than 50 cm. apart, allowing all sizes of dogs an easy exit. ***The surface of the entrance floor must be non slip.***  
***The entrance to the tunnel must be secured to prevent movement. The leading edge of the entrance must be covered with protective material.***
- Tyre: Aperture diameter: 45 cm. to 60 cm.  
Aperture centre from the ground: L: 80 cm. – M and S: 55 cm.  
The tyre must be adjustable in height (chains or rope), fixed or rigid attachments are not allowed.  
The bottom half of the tyre must be **closed or** filled for safety reasons. ***The width of the tyre: minimum 8 cm – maximum 18 cm.***  
***A breakaway tyre may also be used.***  
The base of this obstacle should be approximately 1.5 x the height measured from the floor to the top edge of the tyre, in category Large.  
***The width of the frame should not exceed 1,50 m. The distance between the inside of the upright and the outside edge of the tyre must be a minimum of 15 cm.***  
Light material is not allowed, the obstacle should be sturdy and stable.
- Long jump: Two to five units comprise a long jump. The overall length is:  
L : 1,20 to 1,50 m. (4 to 5 units)  
M: 70 to 90 cm. (3 to 4 units)  
S : 40 to 50 cm. (2 units)  
Width of the jump: 1,20 m.  
The units are placed in ascending order. The lowest unit at the front: the height: 15 cm. Height of the highest unit: 28 cm. Depth of each unit: 15 cm, rising in height.  
Corner poles, with a minimum height of about 1,20 m should be placed at all four corners (not fixed to any of the units). The top of these poles should be covered to protect dog and handler if necessary. ***The marker poles are not considered part of the obstacle, they are only a judging aid.***
- Start–Finish: The start and finish line should be placed within 1 m. of the first and the last ***hurdle***. The distance between the marker poles should be the length of the hurdle poles plus 50 cm. left and right.  
If a dog runs by the first obstacle then it will be faulted with a refusal and the manual time will start as the dog passes the start line.  
There should be enough room (at least 6 m.) for the dog at the start and at the finish.

## JUDGING

No competitor shall impugn the decision of the judge whose decisions are final.

### 1° General

The aim is to let the dog negotiate the course correctly and within the SCT. The SCT, however, is only a reference, an agility course **should be a balance between accuracy and** speed.

In case of dogs finishing equal, the dog with the least amount of faults on the course should be favoured. The time will be taken into consideration only when the total faults are the same.

If, by chance, the total faults (course + time faults) are exactly the same the judge can run off the equal dogs.

### 2° Faults

Faults applied are:

- Faults incurred for failure to negotiate the course correctly
- Faults incurred for failure to complete the course within the SCT

### Faults

a) Exceeding the SCT: a single fault per second.

b) General:

- The handler must not pass between the poles that mark the start and/or the finish or he will be faulted (5 faults), also the time will start as the handler crosses the start line.
- A handler who gains an advantage by touching his dog **or an obstacle** will be faulted - 5 faults each time it occurs.
- A handler who deliberately touches an obstacle will be faulted - 5 faults each time it occurs.

c) Faults on the course:

All course faults are in units of five (5 faults)

#### Knockdowns:

It is a fault each time any part of any obstacle is knocked down.

#### Refusals:

Will be faulted with a refusal: a dog that stops in front of an obstacle or a dog that stops on the course. A dog that runs out or runs by an obstacle, jumps between the tyre and the frame or walks through the long jump. A dog that puts its head or a paw in a tunnel and comes back out again.

#### Contact area:

On the A-frame, dog walk and see-saw the dog must touch the up as well as the down contact with at least one paw or part of its paw. Failure to do so: 5 faults each time it occurs.

Refusals must be corrected, failure to do so will result in elimination.

The same applies to the weaving poles, where each mistake must be corrected.

Other faults: knockdowns or missing a contact point: the dog will be penalised but it continues its run.



d) Marking on specific obstacles:

Table

There will be a 5 second wait on the table with the dog in any position, which may be changed during the wait. The count will start as soon as the dog is on the table.

If the dog leaves the table before the count is finished and the signal from the judge, it will be penalised with a fault (5 faults) and will have to get back on the table where the count is restarted. Failure to do so will result in elimination on the next obstacle

The dog can get on to the table from three sides: A, B and C. If the dog passes the table and jumps on from side D, it will be penalised with a refusal (5 faults) but will not be eliminated for taking an obstacle from the wrong side.



It is a fault if the dog slips off the table (5 faults) and it will have to get back on the table (from any side) where the count is restarted. A dog that runs under the table will be penalised with a refusal (5 faults).

A handler who starts the electronic countdown will be eliminated.

Dog walk

The dog that alights from the obstacle before touching the descending ramp with four paws will be penalised with a refusal (5 faults)

See-saw

The dog that jumps off the obstacle before passing the pivot point will be penalised with a refusal (5 faults). The see-saw must touch the ground before the dogs alights from the obstacle, otherwise it will incur 5 faults.

A-frame

The dog that alights from the obstacle before touching the descending ramp with four paws will be penalised with a refusal (5 faults).

Weaving poles

The first pole must be on the left of the dog, the second on the right and so on.

Each incorrect entry will be penalised with a refusal (5 faults). For further errors a dog should only be penalised once, with a fault (5 faults). Back weaving (more than 2 gates) will result in elimination.

The obstacle must be completed correctly before negotiating the next obstacle, failure to do so will result in elimination on the next obstacle.

Long jump

The units of the obstacle are evenly spaced and in ascending order to make a jump that is 0,40 to 1,50 m. long.

“S” : 40 to 50 cm (2 units), “M” : 70 to 90 cm (3 to 4 units), “L” : 120 to 150 cm (4 to 5 units)

Walking through, running past, jumping in from or out to the side and not traversing the complete obstacle will be penalised with a refusal (5 faults).

Banking or knocking down one of the units, as well as a foot or feet landing between the units will be penalised with a fault (5 faults). Casual contact will not be faulted.

The dog or handler will not be faulted when they touch or knock down one of the marker poles of the long jump, even when this causes one of the units to fall down.

### Spread jump

Judged in the same way as the single hurdles

### **Breakaway tyre**

***If the tyre breaks away and the dog refuses: elimination***

***If the tyre breaks away when the dog goes through it: 5 faults***

### 3° Elimination

- Unseemly behaviour towards the judge
- Harsh handling of the dog
- Exceeding the Maximum Course Time
- Three refusals
- Taking obstacles out of sequence
- Forgetting to take an obstacle
- Taking an obstacle in the wrong direction
- Dog or handler disturbs an obstacle in such a way that it can no longer be negotiated correctly
- Handler negotiates an obstacle himself, jumps or passes under the obstacle.
- Handler starts the electronic countdown on the table if a table with electronic timing is used
- Handler holds something in his hand
- Replacing the dog at the start after it has crossed the start line (unless instructed by the judge)
- Dog wearing a collar
- Stopping on the course because the handler retires (unless instructed by the judge)
- Dog fouls or leaves the ring or is no longer under control
- Dog snapping constantly at the handler
- ***Starting the run before the judge's start signal***

Elimination means that the dog is disqualified and handler and dog must leave the ring as quickly as possible, unless the judge decides otherwise. Elimination must be indicated clearly (whistle, etc.) by the judge.

The judge will deal with all unexpected circumstances and must be consistent at all times.

### 4° Force majeure

Under circumstances beyond the handler's control - poles blown down, twisted cloth of the flat tunnel – the judge can stop the handler and when the obstacle has been rebuilt, the judge will restart the dog from the beginning.

All faults incurred before the dog was stopped will still apply. Up to that point no other faults will be given, however, the handler still has to negotiate the course to the best of his ability; i.e. must make a good attempt. Additional faults will be incurred only after the point at which the dog was originally stopped.

### **QUALIFICATION / AGILITY CERTIFICATE**

In agility tests, the following 'qualifications' will be given:

1) to 5,99 total faults	EXCELLENT
6 to 15,99 total faults	VERY GOOD
16 to 25,99 total faults	GOOD
more than 26 total faults	NO QUALIFICATION

'Total faults' means: all the faults on the obstacles plus all the time faults

The 'FCI AGILITY CERTIFICATE' will be awarded to dogs having obtained the qualification 'Excellent' 3 times, with clear rounds, under two different judges in Agility 1 competitions.

## RESULTS

The following is taken into account to decide places:

- 1° Total faults (course + time faults)
- 2° In cases where the total faults are the same, then the dog with the least course faults will be placed first
- 3° In cases where the total faults and the course faults are the same then the fastest dog will be placed first

Example: with a SCT of 60 seconds

Dog	Faults	Dogs time	Time faults	Total faults	Place
7	5	58,71	0,00	5,00	3
12	0	65,00	5,00	5,00	1
18	5	57,25	0,00	5,00	2
4	0	68,32	8,32	8,32	4
15	10	59,17	0,00	10,00	6
2	5	65,00	5,00	10,00	5

## ORGANISING A COMPETITION

Clubs wanting to organise an agility competition must:

1. Have a ring of minimum 20 x 40 m.  
The surface must not present a danger to the dogs or handlers (no broken glass, nails, pot holes etc.)
2. Appoint a judge approved by his own Kennel Club and the FCI to officiate.
3. Provide a number of stewards necessary to run a competition smoothly, which includes:

A scribe who notes the faults signalled by the judge, so the judge need not take his eyes off the dog

2 timekeepers in charge of timing the dogs (1 official – 1 back up)

2 equipment stewards in charge of rebuilding obstacles and straightening the flat tunnel after each passage

2 secretaries (minimum) in charge of the scoreboard, filling in the record books and sorting out the places.

1 ring steward to show competitors in and out the ring.

A team (6 people) available to build or rebuild the course according to the judge's instructions.

## ELIGIBILITY TO ENTER COMPETITIONS

Eligible to enter:

- a) ***International*** agility tests sanctioned by the FCI, that award the FCI Agility Certificate and qualify for national competitions and the FCI World Championships:  
All breeds over 18 months and in possession of a pedigree (***studbook/appendix***) recognised by the FCI; they must be tattooed or chipped: owners/handlers must be members of a club belonging to a National Cynological Organisation (Kennel Club) affiliated to the FCI.  
Competitors must have a record book or a license issued by their NCO in which competition results are recorded.  
***Bitches in heat are permitted to compete in international competitions.***
- b) ***National*** agility tests  
All dogs over 18 months with or without pedigree; must be tattooed or chipped; and owners/handlers must be members of a club belonging to a NCO affiliated to the FCI. Competing dogs must have a record book or license issued by their NCO in which competition results are recorded.

Ineligible to enter:

- Pregnant bitches
- Dogs that are apparently ill or hurt
- Doped dogs

Dogs coming from or going to a region infected with rabies must have a valid inoculation certificate against rabies.

Handlers must be a member of a club belonging to a NCO.

Visiting handlers/dogs from other countries must show that they are a member of a NCO affiliated to the FCI and that they compete in official tests in their own country.

Competitors are expected to be on their best behaviour and properly dressed

Harsh handling will be condemned severely and will result in immediate elimination. A complaint may also be lodged against the handler.

The organising club has the right to refuse any entry.

## TESTS / CATEGORIES & CLASSES

Two sort of tests are organised:

- 1) Official agility tests sanctioned by the FCI
- 2) Unofficial agility tests

Three categories exist:

S (Small) - M (Medium) - L (Large)

Note: Dogs can only enter one category. It is recommended that the height of the dogs competing in 'S' and 'M' be registered in the record book. An FCI approved breed or agility judge who signs the entry in the record book can measure the dogs.

## 1° Official Agility tests sanctioned by the FCI

Open only to FCI recognised pedigree (**studbook/appendix**) dogs over 18 months old and in possession of a record book or license issued by their NCO.

There are two official classes:

- Agility – including contact equipment and the table.
- Jumping – excluding contact equipment and the table.

These classes are divided into three levels:

### a) AGILITY/JUMPING 1

Open only to dogs that have not yet obtained their 'Agility Certificate'.

### b) AGILITY/JUMPING 2

Open only to dogs that have obtained their 'Agility Certificate'.

### c) AGILITY/JUMPING 3

Open only to dogs who were placed three times, with a clear round, in the top three in Agility 2 tests.

Relegation is possible, this according to the specifications of the NCO.

When building the course the judge must use, at his discretion, the obstacles approved by the FCI.

Note: An Agility 1 course will have a maximum of three contact obstacles, and a maximum of four contact obstacles will be used in an Agility 2 and Agility 3 course (at the judge's discretion).

Spread jumps should not be used in Agility/Jumping 1.

Weaving poles and **the tyre** can be negotiated only once during a test.

The spread jump, tyre and long jump must always be set up for a straight approach from the previous obstacle.

The first and the last obstacle must be a hurdle, the first should be a single hurdle.

The difference between Agility 1, Agility 2 and Agility 3 should be:

- the length of the course and its degree of difficulty
- the speed chosen to determine the SCT

The rules apply for all the categories - S, M and L - except that the obstacles must meet the specifications defined for the Small and the Medium dogs.

The results obtained in the official tests will be recorded in the record books or licence and allow entering National Championships, as well as the World Championships in so far that the criteria, set out by the NCOs, are met.

## 2° Unofficial Agility tests

Left to the initiative of each country, these 'unofficial competitions' should hold the agility ideals high and ensure the safety of the dogs and handlers. In his briefing, the judge should explain the rules before starting each class.

Standard marking can be applied or vary according to the class that is being organised.

The number of classes at an 'unofficial agility show' is determined by the organising club and will depend on the number of entries and the time available.

## C. FCI WORLD AGILITY CHAMPIONSHIP

### 1° Organisation

The World Agility Championships are organised annually. The winners will gain the title 'World Agility Champion(s)'

Any NCO wanting to organise the 'World Agility Championships' must apply five years in advance. Applications must be sent to the chairman of the FCI Agility Committee. As a rule, the date for the World Championship, is the first weekend of October. The FCI Agility Committee must approve any deviation from this date. Applications should include the following details:

- Name of the NCO including name and address of the official running the event
- Place where the event is planned
- Description and plan of the facilities
- Confirmation that everything will be carried out according to the Specifications for the World Championships

Description of the facilities and ring chosen for the event as well as the available resources, which must meet the 'Specifications for the World Agility Championships' attached to these regulations.

The World Agility Championship is an event in which the top handlers of FCI member countries take part. The organising country should give this event the prestige befitting the 'World Championships'.

The host country will provide all the necessary equipment. It is responsible for the reception of all invited competitors and officials.

To create a good atmosphere, which will contribute to the success of the event, special consideration should be given to the use of a good commentator during the event.

The media (press, radio, TV etc.) should be contacted to ensure the necessary publicity in order to attract a large number of spectators and thereby promote Agility and the pure bred dog.

The organising NCO is responsible only to the FCI for the practical organisation and it must take the appropriate measures to make sure that the event runs smoothly.

At least 6 months prior to the event, the organising NCO must invite other NCOs to participate. The NCOs should be advised about closing date, maximum number of entries and they should also be requested to provide suitable and identical attire for their teams.

The FCI agility committee will appoint a representative who will ensure that the 'Specifications' regarding the World Championships are respected by the organising NCO and that the Agility rules and regulations are strictly applied. The organising NCO will present the representative with a programme of the competition.

### 2° Tests

Tests will be judged according to the FCI rules and regulations. They will be held in one ring, 30 x 40 m. Two judges (one from the host country) will officiate.

The World Agility Championships will consist of:

#### a) 2 'individual' tests

- 1 Agility course containing the contact equipment and if a table is used it should have electronic timing.
- 1 Jumping course without contact equipment or the table.

The course will only contain the approved obstacles.

The two results added together will determine the winner, who will be 'World Agility Champion'. In case of a tie (for first place only), a run-off is held over a third course.

b) 2 'team' tests

- 1 Agility course containing the contact equipment and if a table is used it should have electronic timing.
- 1 Jumping course without contact equipment or the table.

Each participating country will be allowed to enter one team, consisting of **4** dogs per category (a dog can be entered in one team only). The course will only contain the approved obstacles.

The two results (agility and jumping) of the **best 3 dogs in each run** of each team will be added together to determine the winning team. The winning team will be called 'World Agility Champions'.

***After each run – individual and team – the dog's chip number will be checked.***

TEST DOG

Before the judge starts the test and after determining the SCT, a 'test dog' – that does not take part in the competition – will have a test run. This will occur in each category.

3° Applications

For the World Agility Championships, NCOs affiliated to the FCI (or those with a close relationship like the AKC, CKC and The Kennel Club of GB) are allowed to select teams according to the following rules:

- Owners and handlers must have the nationality of the country or must have their legal residence in the country for which his/her dog will compete. It is up to the NCO to determine the residential status of the owner and handler. In case of dual nationality, he/she can choose either country without restriction: however, he/she can only compete for one country.
- The dog must have been registered with the studbook/**appendix** of the country for which it will compete for a minimum of **6** months.
- Each handler is allowed to compete with maximum four dogs.

If difficulties arise, they must be referred to the General Board of the FCI.

- 'Individual' tests: 9 dogs, "L", "M" or "S" (maximum 6 in one category).
- 'Team' tests: 1 team consisting of **4** dogs per category, 'L', 'M' and 'S'.

Note: The winners (**same dog and handler**) in the 'individual' tests (L – M - S) of the previous Championship will be selected automatically so they can defend their title. These dogs will simply be added on to the number of dogs allowed for their country.

To qualify as a competitor at the World Championships, dogs must have a pedigree recognised by the FCI and achieve the qualification 'Excellent' or at least 'Very Good' in an official Agility 2 or Agility 3 test.

The NCOs can consider other criteria.

The NCOs will send the entry forms, properly completed and signed, to the organising committee before the closing date. They will, at the same time, appoint a 'team leader' or coach who shall be responsible for the team before the organising committee.

#### 4° Ring equipment

2 complete agility sets, consisting both of the following approved obstacles:

14 hurdles with poles (1 brush fence, 1 hurdle with full panel, 1 hurdle with gate are also allowed – diameter of the poles should be **4** to 5 cm), 1 tyre (**breakaway tyre is recommended**), 1 wall or viaduct, 1 dog walk, 1 A-frame, 1 see-saw, weaving poles, 1 table with an electronic timing device built in **or placed on** the surface, 1 long jump, 2 tube tunnels and 1 flat tunnel.

#### 5° Veterinary control

Each dog will be submitted to a veterinary control before the competition starts. The inoculation certificates against rabies will be checked. Dogs coming from or going to a rabies-infected region must also have a valid health certificate issued by their veterinary surgeon.

Pregnant bitches or dogs that are ill or hurt will not be allowed to compete. Bitches in heat are allowed to compete, provided they are separated from the other competing dogs, and kept away from them and run last in the competition.

#### 6° Record book or license

Each dog must have a record book or license, which is handed over to the organising committee before the competition starts.

#### 7° Judges

The FCI Agility Committee will appoint two qualified judges, one of them must be from a different country than the organising country, and one assistant judge (this must be a FCI recognised judge). The two appointed judges are responsible for judging the courses, the assistant judge is only responsible for judging the up contact of the dog walk.

The judge is not permitted to judge immediate family such as spouse, partner, father, mother, daughter, son or household residents.

The expenses of the judges are defined in the FCI 'Specifications for the World Agility Championships'. The organiser must provide the foreign judge with an interpreter in one of the four FCI languages (French, English, German or Spanish).

The judge's decisions are final and cannot be appealed.

#### 8° Specifications

The organising committee must abide by the FCI rules and regulations that lists all the committee's duties and responsibilities and implement them correctly.

**The English text is the authentic one.**

***The text in bold and italic has been approved by the FCI General Committee in Paris, July 3<sup>rd</sup> 2011. These new rules will be applied from January 1<sup>st</sup> 2012.***

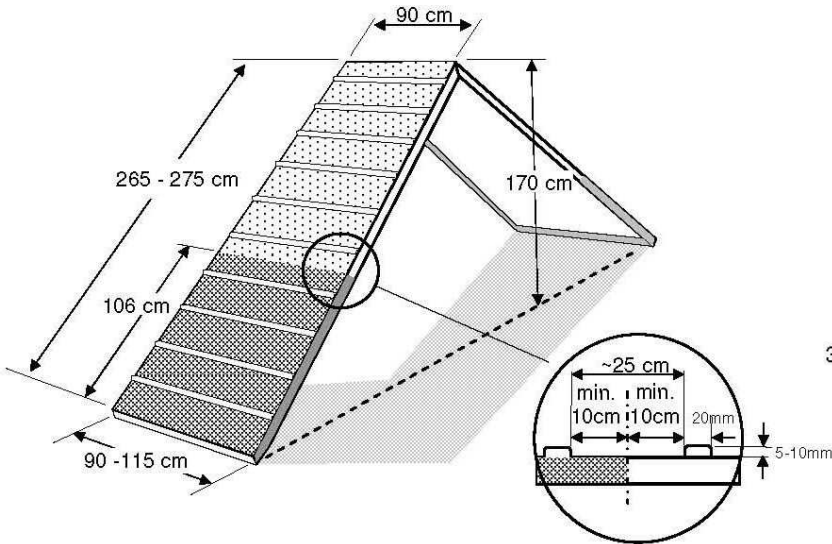


# AGILITY OBSTACLES

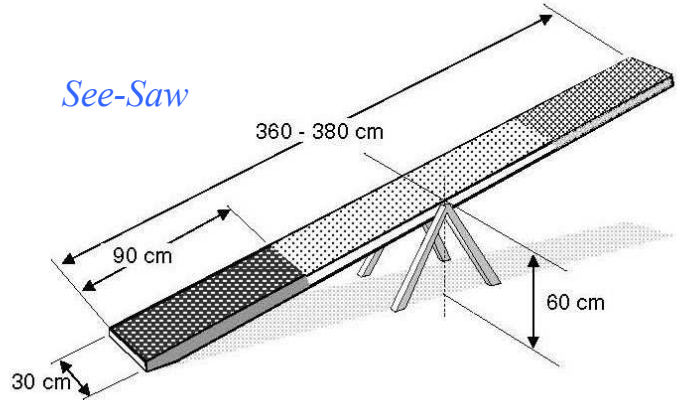
Regulations of the Fédération Cynologique Internationale

## Contact:

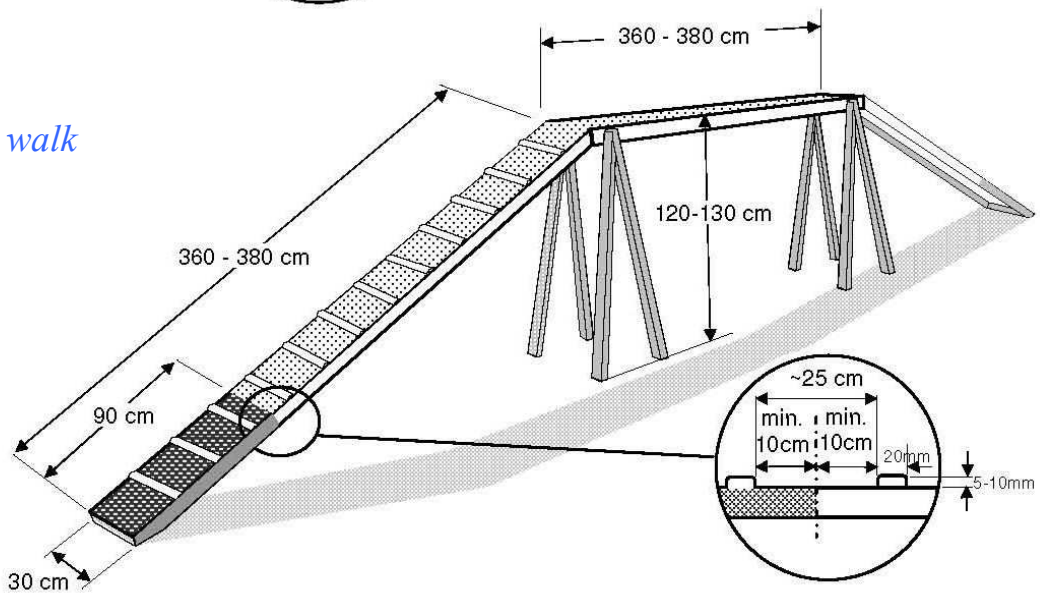
### A-Frame



### See-Saw



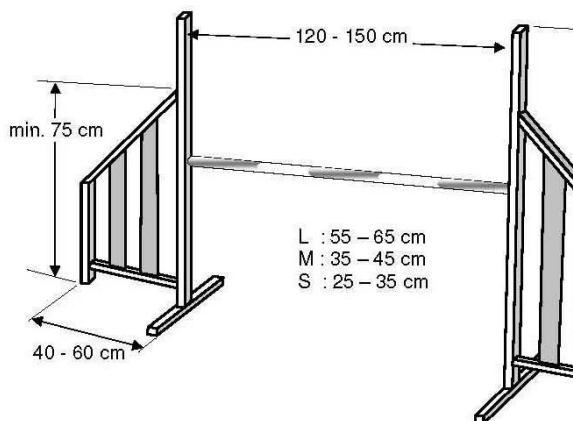
### Dog walk



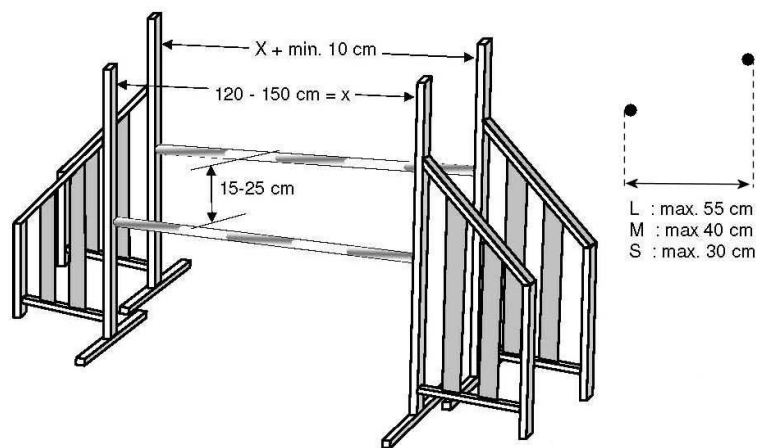
## Jumps:

### Hurdles:

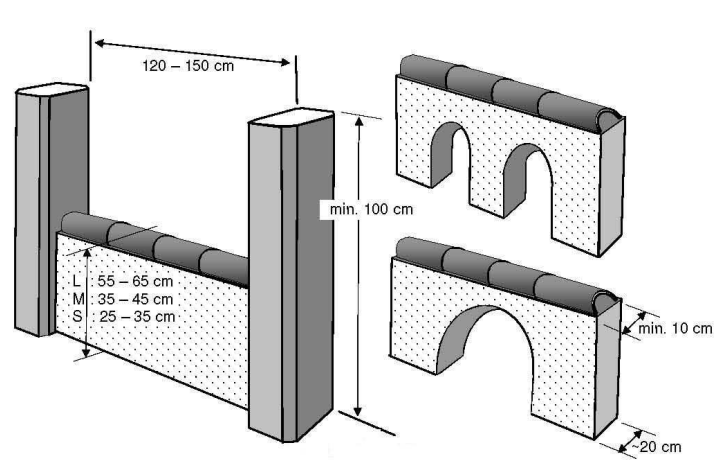
#### Single Hurdle



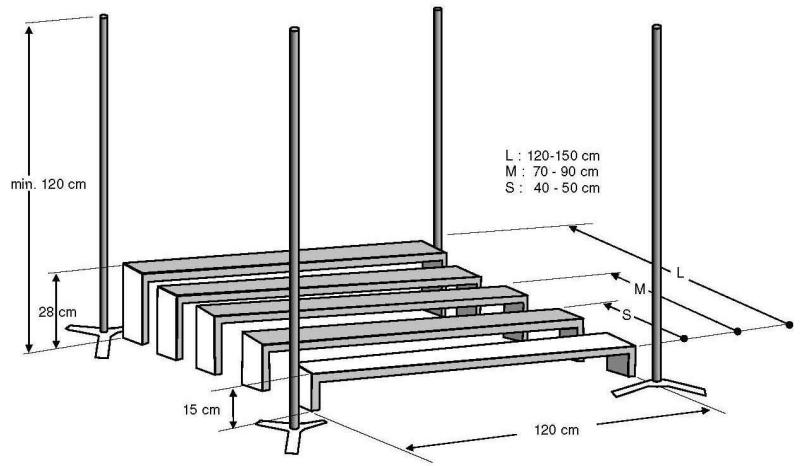
#### Spread Jump



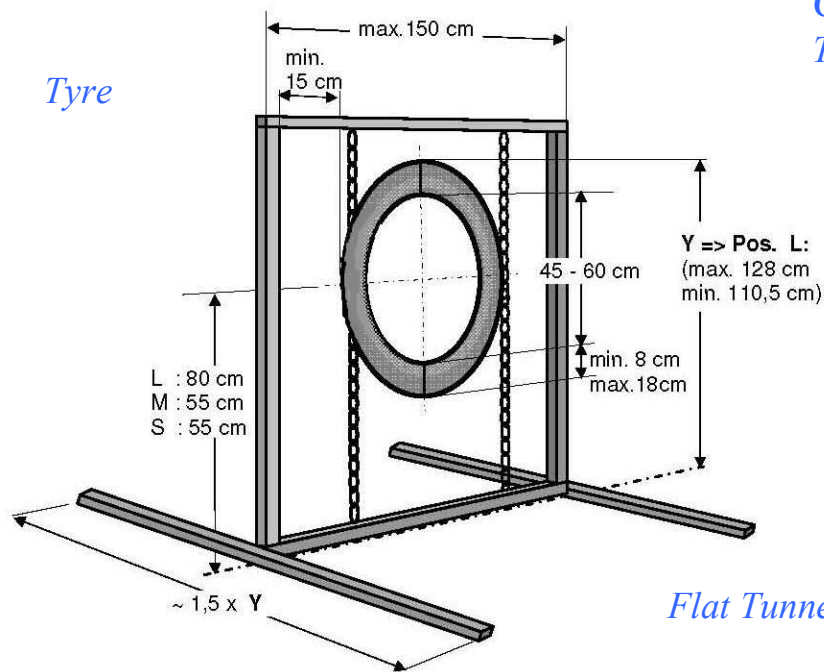
### Wall / Viaduct



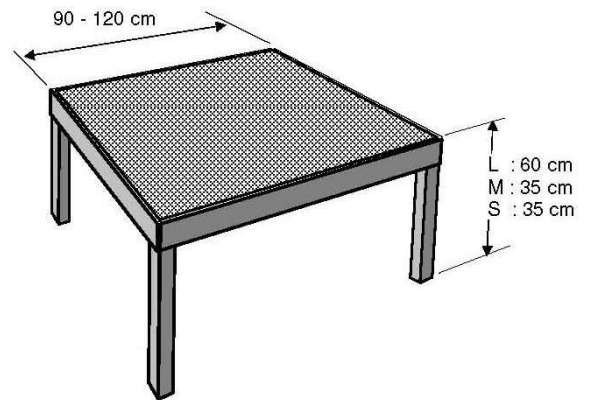
### Long Jump



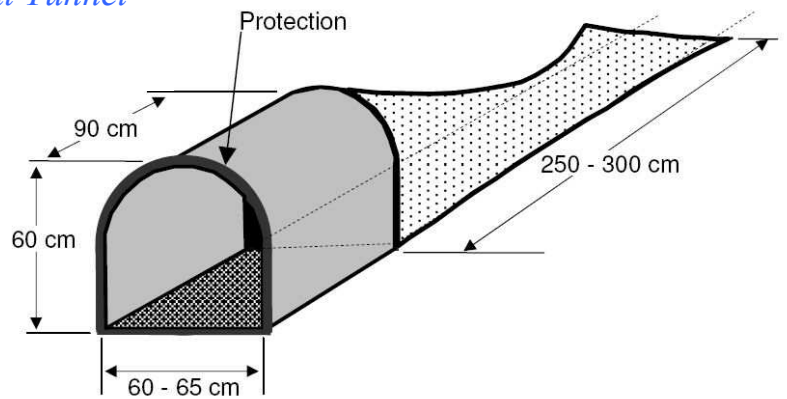
### Tyre



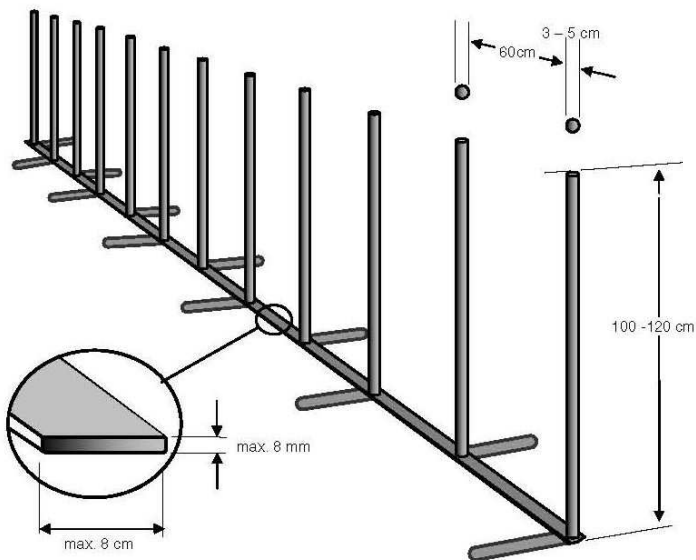
### Other Obstacles: Table



### Flat Tunnel



### Weaving Poles



### Tube Tunnel

